

YAMAHA YHT-199 Home Theater Package

Connection Guide

English

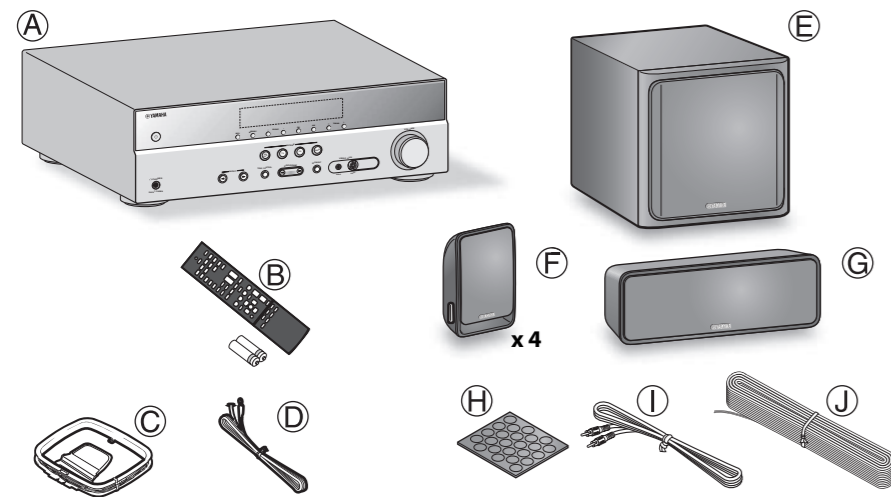
YAMAHA CORPORATION
© 2013 Yamaha Corporation
Printed in China ZG07370

The Yamaha YHT-199 Home Theater Package includes everything you need to add great sound to your home theater. By following the steps in this Connection Guide, you'll have your home theater set up in no time and be enjoying music and movies like never before. Part A explains how to connect the speakers and antennas. Part B explains how to connect various AV components. See the relevant owner's manuals for full instructions and precautions.

Caution: Disconnect all components from AC outlets before proceeding.

Part A: Speakers and Antennas

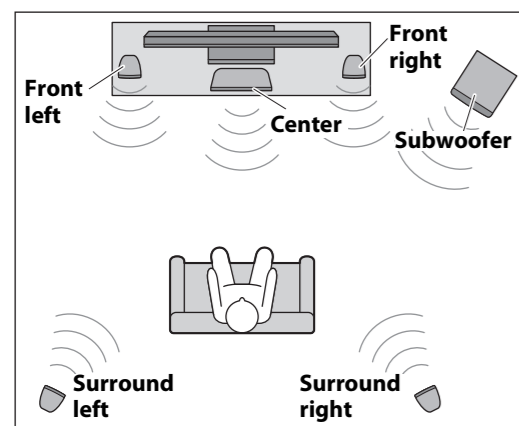
1 Checking the package contents



Unpack and check the package contents. The following items are necessary to complete this Connection Guide. See the owner's manuals for a complete list of supplied items.

- | | |
|---|-----------------------------------|
| A AV Receiver (HTR-2866) | E Subwoofer (NS-SW20) |
| B Remote control and two batteries (AAA, R03, UM-4) | F Front/surround speaker (NS-B20) |
| C AM loop antenna | G Center speaker (NS-C20) |
| D Indoor FM antenna (FM antenna type depends on destination country.) | H Non-skid pad |
| | I Subwoofer cable |
| | J Speaker cable |

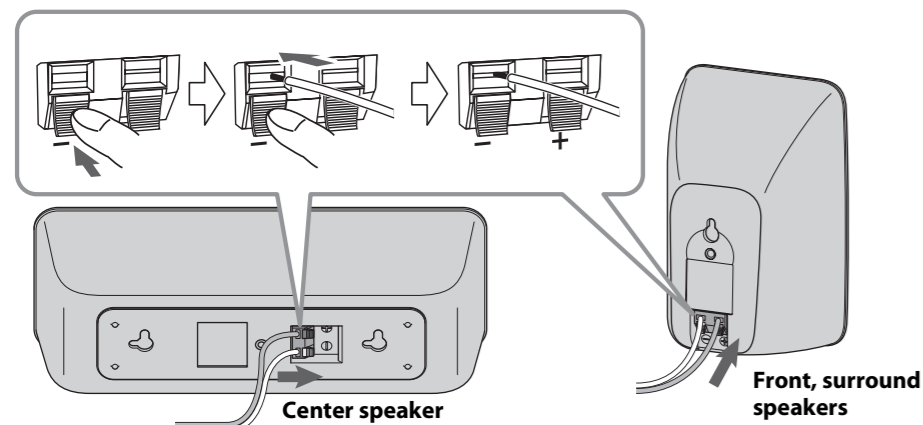
2 Positioning the speakers



The four front and surround speakers are identical, so it doesn't matter which one you use in each position.

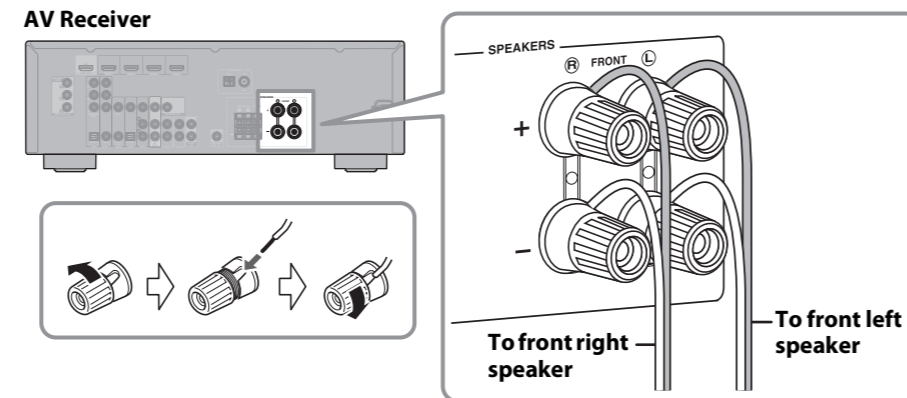
Position the speakers as shown. See the owner's manuals for more information on installing the speakers.

3 Preparing the cables and speakers



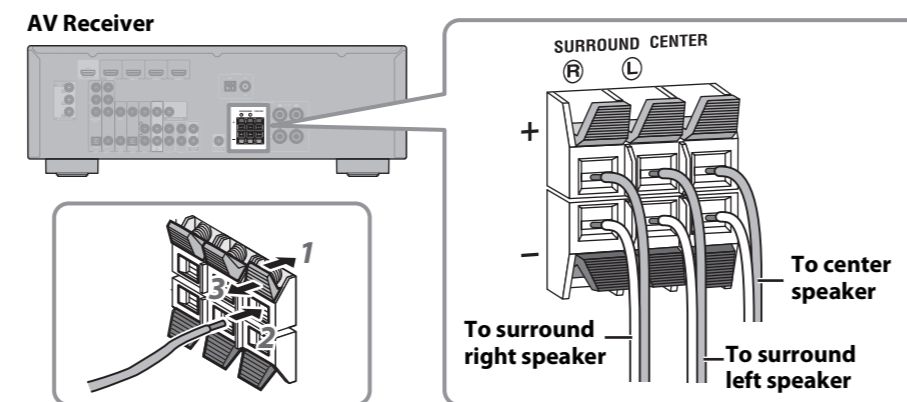
- Cut the included speaker cable to suitable lengths for the front, center, and surround speakers. You need to make five cables altogether. Remove about 10 mm (3/8 in.) of insulation from the end of each cable, and then twist the bare strands tightly.
- Connect the speaker cables to the front speakers (F), surround speakers (E), and center speaker (G). Make sure you connect the speakers with the correct polarity—positive (+) terminals to positive (+) terminals, and negative (-) terminals to negative (-) terminals.

4 Connecting the front speakers



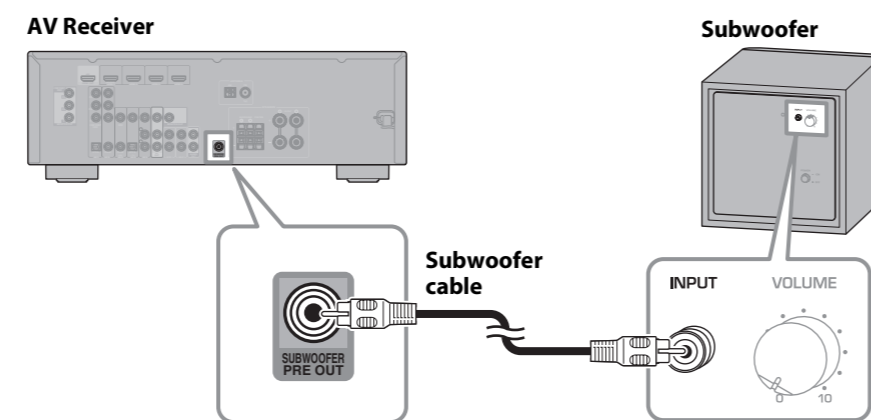
Connect the front speaker (F) cables to the AV Receiver. Make sure you connect the speakers with the correct polarity—positive (+) terminals to positive (+) terminals, and negative (-) terminals to negative (-) terminals.

5 Connecting the center and surround speakers



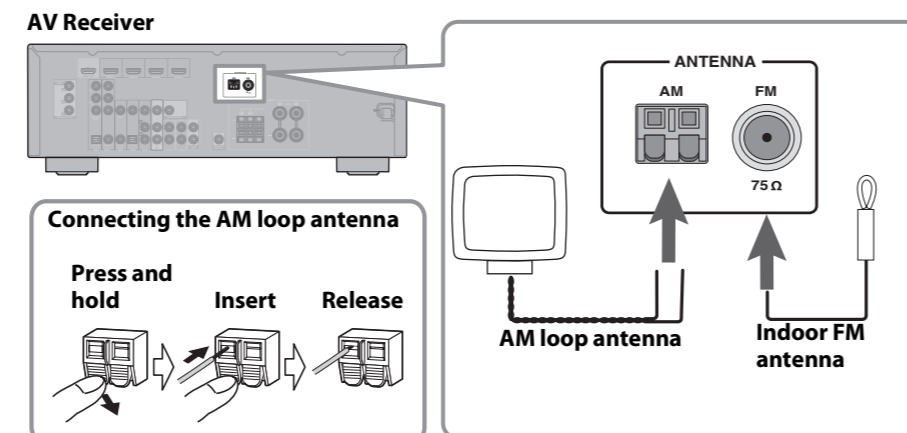
Connect the center speaker (G) and surround speaker (F) cables to the AV Receiver. Make sure you connect the speakers with the correct polarity—positive (+) terminals to positive (+) terminals, and negative (-) terminals to negative (-) terminals.

6 Connecting the subwoofer



Use the included subwoofer cable (I) to connect the Subwoofer's INPUT jack to the AV Receiver's SUBWOOFER PRE OUT jack.

7 Connecting the antennas



Connect the AM loop antenna (C) and indoor FM antenna (D) to the AV Receiver, as shown. See the owner's manuals for more information about connecting antennas.

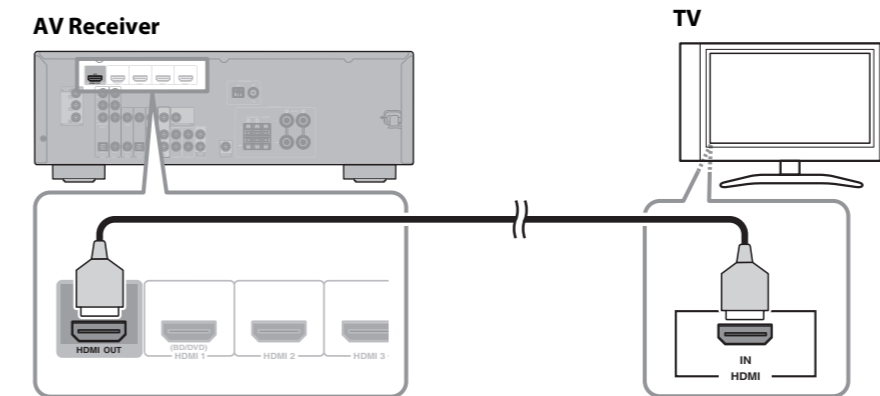
Part B: AV Components

Caution: Disconnect all components from AC outlets before proceeding.

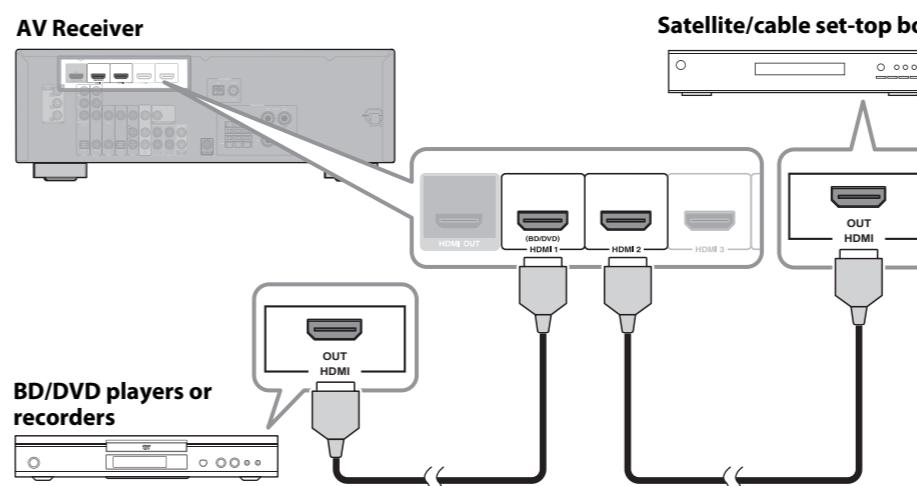
1 Connecting HDMI-capable components

If your TV and BD/DVD players or recorders or satellite/cable set-top box have HDMI jacks, you can connect them via the AV Receiver. Using HDMI cables (not included), connect the AV Receiver's HDMI OUT jack to an HDMI input on your TV, and connect your BD/DVD players or recorders and satellite/cable set-top box to the AV Receiver's HDMI 1(BD/DVD) and HDMI 2 jacks, respectively, as shown. See the owner's manuals for more information about HDMI.

● Connecting your TV

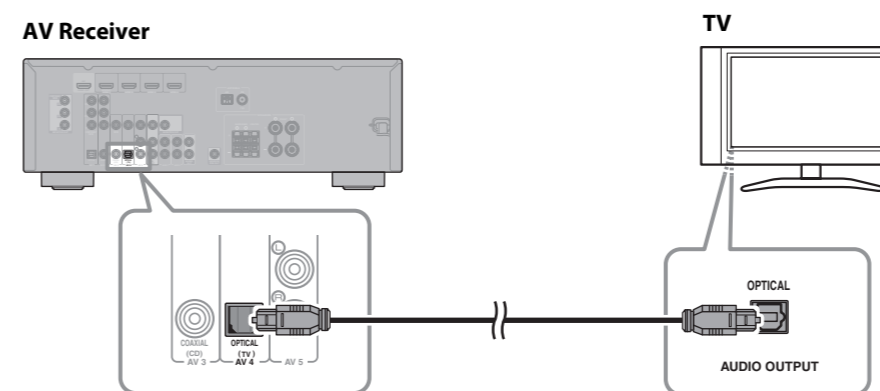


● Connecting your BD/DVD players or recorders, satellite/cable set-top box



2 Connecting your TV for audio output

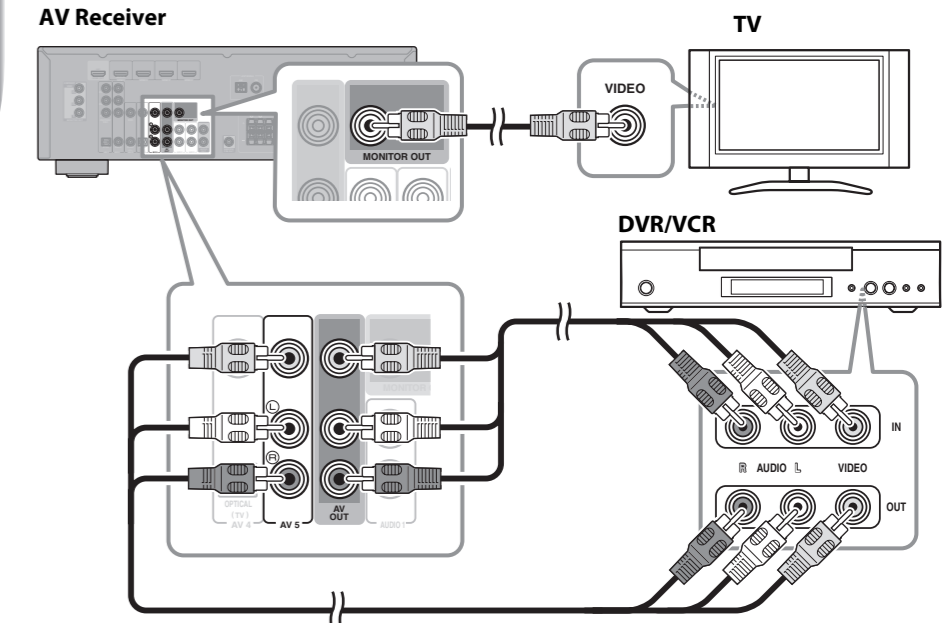
You can listen to TV audio through the AV Receiver and speakers by connecting an audio output on your TV to an audio input on the AV Receiver with, for example, an optical digital audio cable (not included), as shown. To listen to TV audio, select the appropriate input source on the AV Receiver.



Your TV supports the Audio Return Channel function and HDMI Control function

- If your TV supports ARC (Audio Return Channel), this connection is unnecessary.
- The Audio Return Channel is required the setting of HDMI function of the AV Receiver before use.
- For the connections and settings, refer to "Connection Method 1 (HDMI Control/ARC-compatible TV)" (See HTR-2866 Owner's Manual).

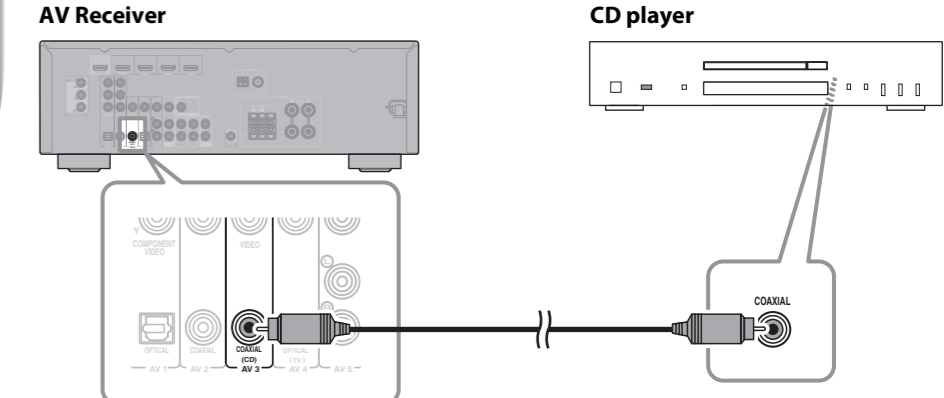
3 Connecting your DVR/VCR



Use a video pin cable (not included) to connect the AV Receiver's MONITOR OUT jack to a composite video input on your TV, as shown.

Use AV pin cables (not included) to connect your DVR (digital video recorder) or VCR to the AV Receiver's AV 5 and AV OUT jacks, as shown.

4 Connecting your CD player



Use a digital coaxial cable (not included) to connect your CD player to the AV Receiver's AV 3 COAXIAL(CD) jack, as shown.

Almost Finished

- Connect the AV Receiver, Subwoofer, and your other AV components to suitable AC outlets.
- Turn on the AV Receiver first, then the Subwoofer and your other AV components.
- Install the batteries in the AV Receiver's remote control.
- The optimum crossover frequency setting on the AV receiver is 150–160 Hz.
- See the relevant owner's manuals for full operating instructions.

Time to enjoy your Yamaha Home Theater Package!

Now, relax and enjoy the great sound of your Yamaha Home Theater Package.