

# CEILING MOUNT SPEAKER BRACKET

## BCS20-150/210, BCS20W-150/210 Installation Manual

Thank you for choosing the YAMAHA Ceiling Mount Speaker Bracket. Please read this manual carefully before installing the speaker bracket and keep it in a safe place for future reference.

### PRECAUTIONS

- YAMAHA shall not bear any responsibility for accidents caused by failure of the installation ceiling panel or by deficiencies in the installation method. READ THIS MANUAL THOROUGHLY BEFORE INSTALLING THE CEILING BRACKET.
- This speaker bracket can only be used with a speaker that weighs less than 10 kilograms (22 lbs).
- The ceiling panel must be able to support at least 10 times the combined weight of the speaker and bracket.
- Consult with a professional installer and confirm that the installation ceiling panel has sufficient strength and is of proper material for long-term mounting.
- Check at each step that all parts have been attached correctly and that all bolts and screws have been firmly tightened.
- For secure installation and safe operation, have a professional install the speaker and bracket. YAMAHA accepts no liability for any injury or damage resulting from improper installation or misuse of materials.
- Screws and bolts may loosen over time due to vibration or corrosion. Periodically check and retighten all connections especially in extraordinary cases such as earthquakes or heavy impacts. For maximum safety, have a professional continually check and maintain the speaker and bracket.

### INSTALLATION PROCEDURE

**1** Separate the speaker-side bracket from the ceiling-side bracket by removing the bracket stay bolt and loosening the bracket fastener nut. (Figure 1)

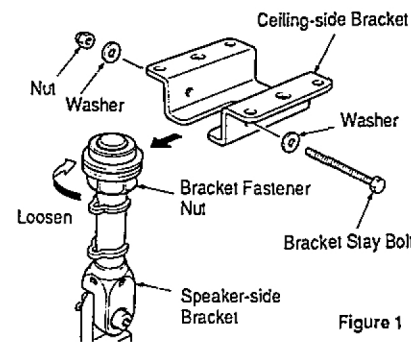


Figure 1

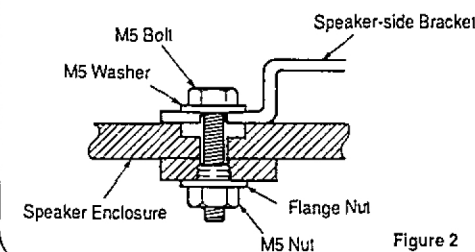


Figure 2

**2** Attach the speaker to the speaker-side bracket. [\*1]

- For wooden speaker enclosures, if it is possible to open the enclosure, use double M5 nuts and the included flange nut to firmly secure the assembly. (Figure 2)
- For speaker enclosures matched for the speaker-side bracket, use the M5 bolts (2) and washers (2) to securely attach the speaker to the bracket. (Figure 3)
- In all cases, be sure to use bolts with the proper length.

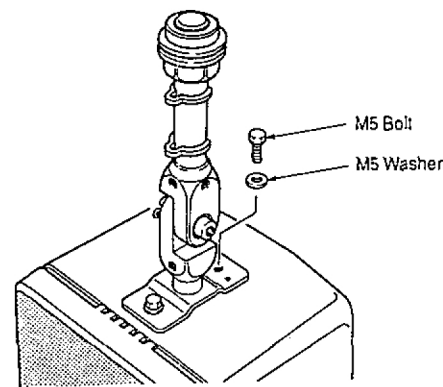


Figure 3

**3** Attach the ceiling-side bracket to the ceiling.

Install the bracket using the M6 bolts (4), nuts (4), and washers (8). Securely fasten all parts. (Figure 4) [\*2]  
 \* Proper ceiling reinforcement will be required depending on the strength of the ceiling panel, the weight of the speakers, and the operating conditions.  
 Use the speaker cord holes in the bracket to pass the cord from the speaker enclosure into the ceiling.

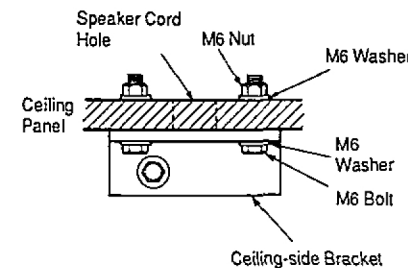
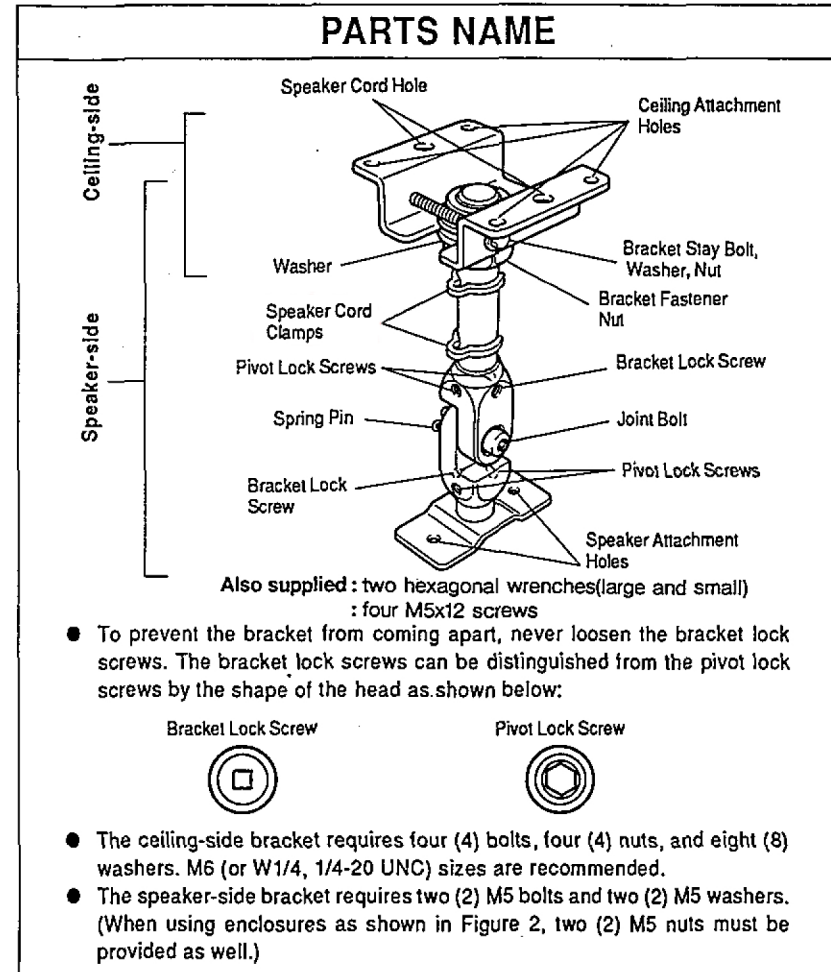


Figure 4



- To prevent the bracket from coming apart, never loosen the bracket lock screws. The bracket lock screws can be distinguished from the pivot lock screws by the shape of the head as shown below:
- The ceiling-side bracket requires four (4) bolts, four (4) nuts, and eight (8) washers. M6 (or W1/4, 1/4-20 UNC) sizes are recommended.
- The speaker-side bracket requires two (2) M5 bolts and two (2) M5 washers. (When using enclosures as shown in Figure 2, two (2) M5 nuts must be provided as well.)

- It is published as two speaker cord holders are attached with the illustration, but accept one and it is surely attached.  
 - It is BCS20-210 and BCS20W-210 that the speaker cord holder is attached.

**4** Insert the mount of the speaker-side bracket into the ceiling-side bracket.

Make sure the washer lies on top of the bracket fastener nut as shown in Figure 5. [\*3] Next, snug the bracket fastener nut and securely fasten the bracket stay bolt, washers, and nut into position. [\*4] After the speaker angle has been decided, firmly tighten the bracket fastener nut. [\*5]

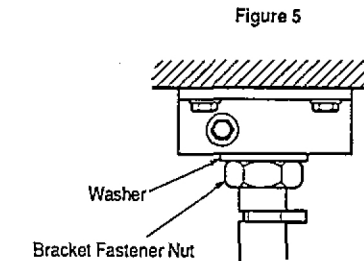
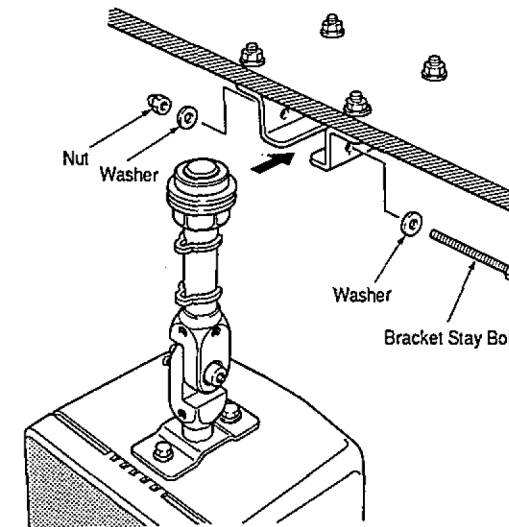


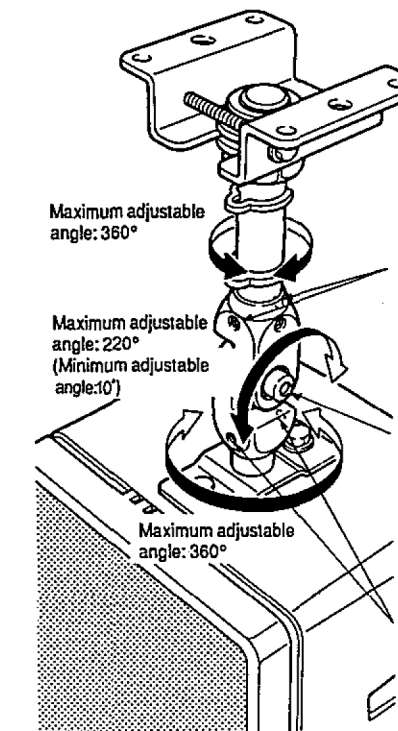
Figure 5

**5** Lastly, recheck the entire installation. Make sure of the following:

- Bracket Attachment to the Speaker [\*1]
- Bracket Attachment to the Ceiling [\*2]
- Mount Washer Position [\*3]
- Bracket Stay Bolt Tightening [\*4]
- Bracket Fastener Nut Tightening [\*5]
- Pivot Lock Screw Tightenings [\*6]
- Joint Bolt Tightening [\*7]
- Pivot Lock Screw Tightenings [\*8]

### SPEAKER ANGLE ADJUSTMENT

The speaker bracket can be adjusted for a wide range of listening positions.

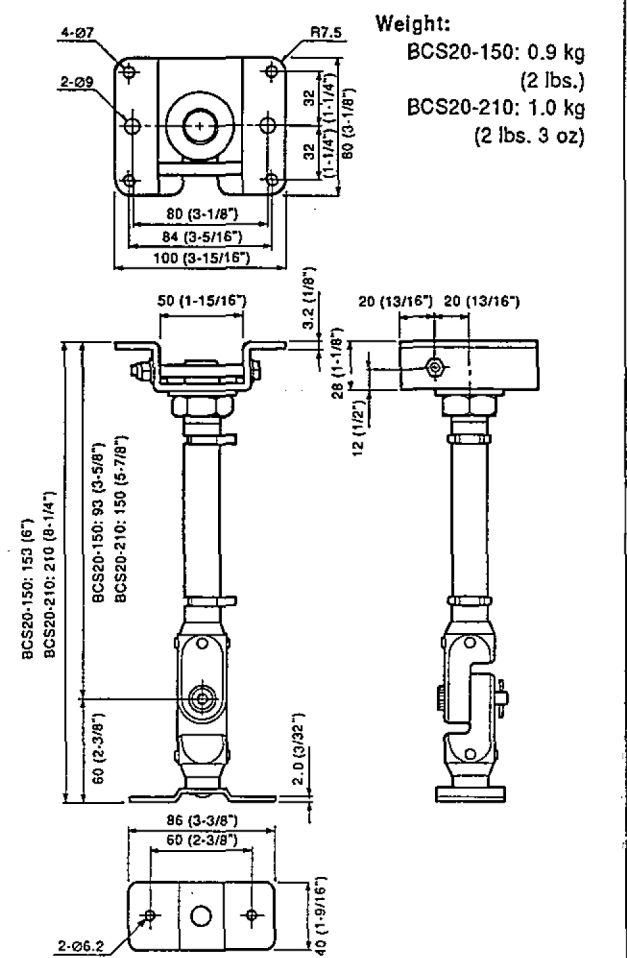


**Pivot Lock Screws (2) [\*6]**  
 Using the small hexagonal wrench supplied, loosen the two pivot lock screws. Set the desired angle for the speaker and retighten the screws securely. (Do not attempt to pivot the bracket without having loosened both pivot lock screws.)

**Joint Bolt [\*7]**  
 Using the large hexagonal wrench provided, loosen the joint bolt one or two turns. Adjust the speaker to the desired angle and firmly retighten the joint bolt. (Loosening the joint bolt too much can cause the lower bracket to come apart. Take care not to loosen the joint bolt more than is necessary for angle adjustments.)

**Pivot Lock Screws (2) [\*8]**  
 Using the small hexagonal wrench supplied, loosen the two pivot lock screws. Set the desired angle for the speaker and retighten the screws securely. (Do not attempt to pivot the bracket without having loosened both pivot lock screws.)

### DIMENSIONS



Units: mm (inch)